

HADLEY LEVELING VALVE, AFTERMARKET KIT INSTALLATION

INSTRUCTIONS FOR VHD WITH DUAL EXHAUST

Contents of kit

- Valve (1x)
- Controlrod (1x)
- Flangenuts, M6 (2x)

Additional parts needed

- Cable ties (2x)
- Anchorage, P/N 8078144 (1x)

Deleted parts

- Valve
- Controlrod
- Heatshield
- Bracket, Leveling valve
- Anchorage

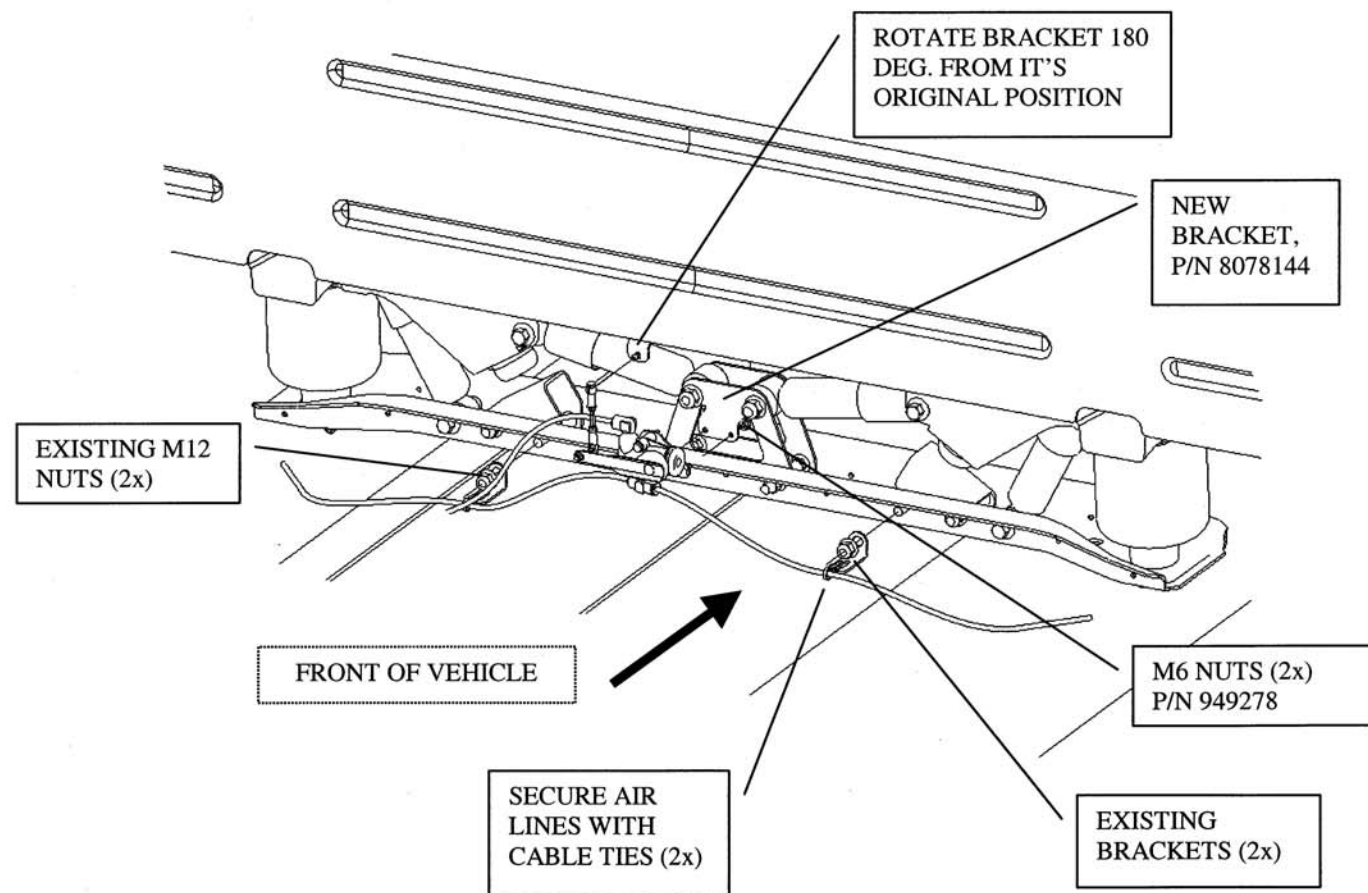


Figure 1. Picture showing installation of valve-kit on a VHD vehicle.

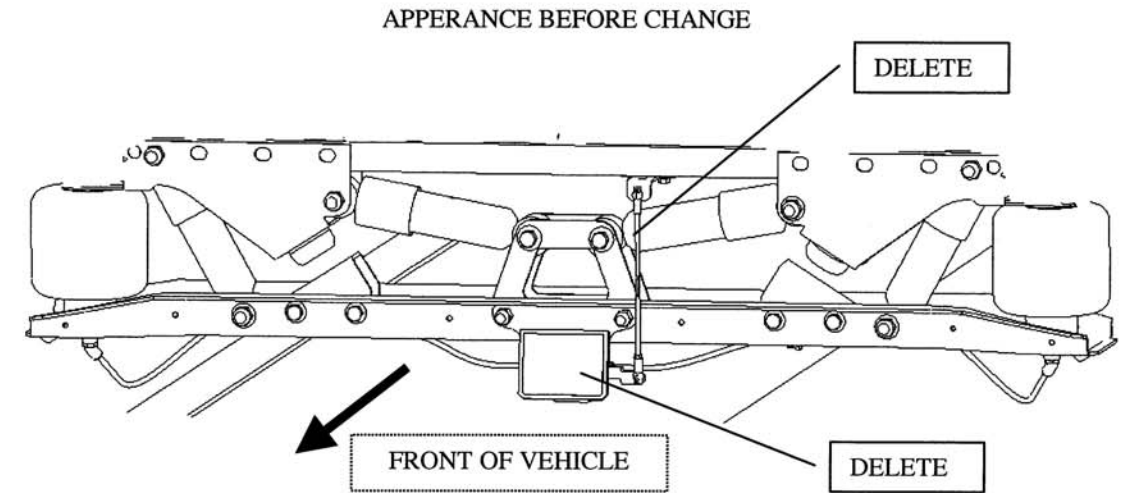


Figure 2. Picture showing the appearance of a VHD vehicle before change.

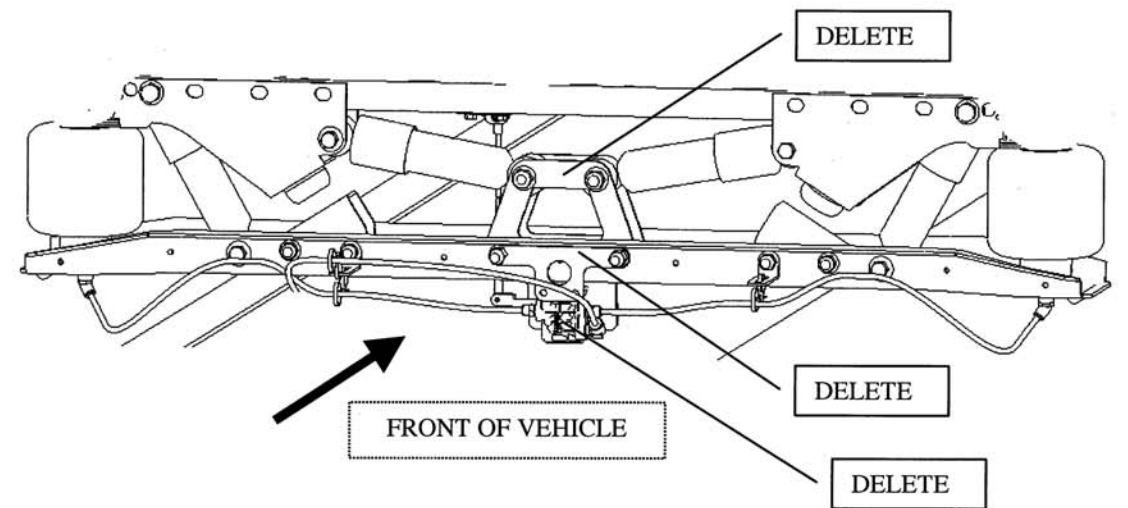


Figure 3. Picture showing the appearance of a VHD vehicle before change.

INSTRUCTIONS FOR ALL VHD WITHOUT DUAL EXHAUST, AND ALL VN

Contents of kit

- Valve (1x)
- Controlrod (1x)
- Flangenuts, M6 (2x)

Additional parts needed

- Cable ties (2x)

Deleted parts

- Valve
- Controlrod

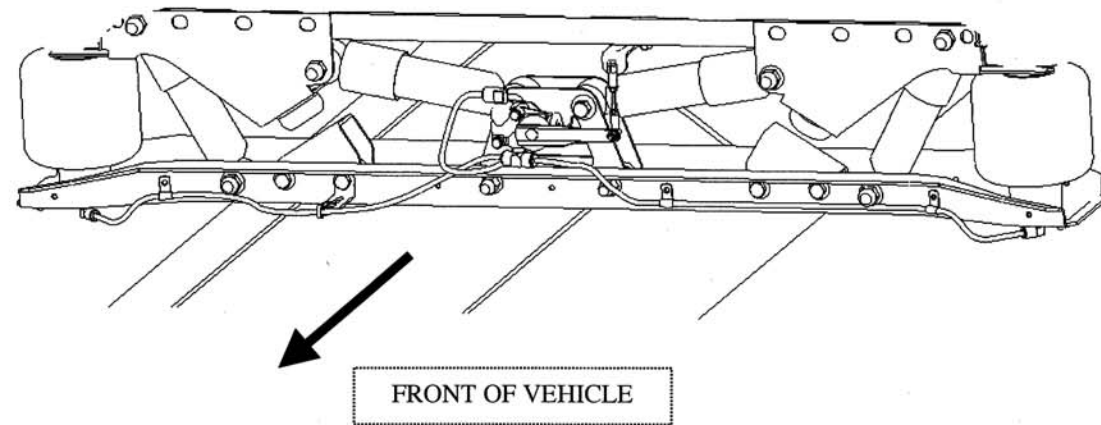


Figure 4. Picture showing installation of valve-kit on a VN vehicle.

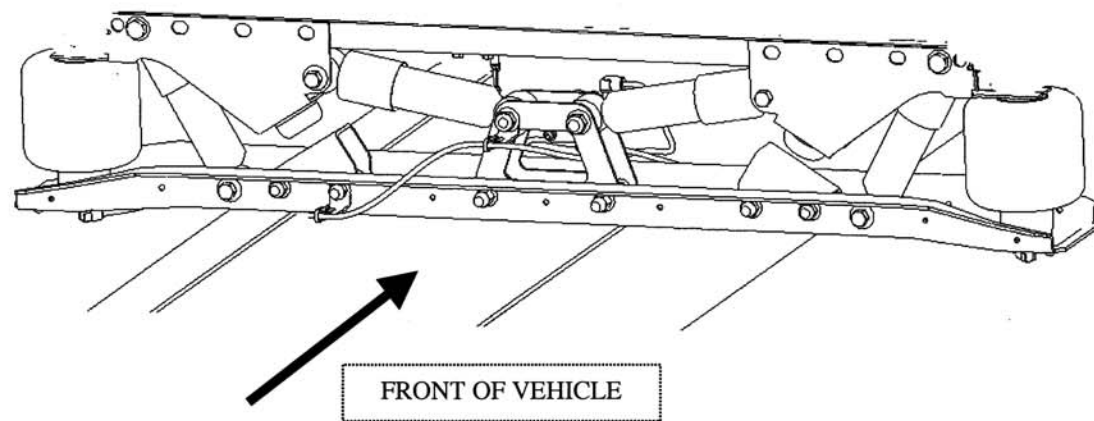


Figure 5. Picture showing installation of valve-kit on a VN vehicle.

APPERANCE BEFORE CHANGE

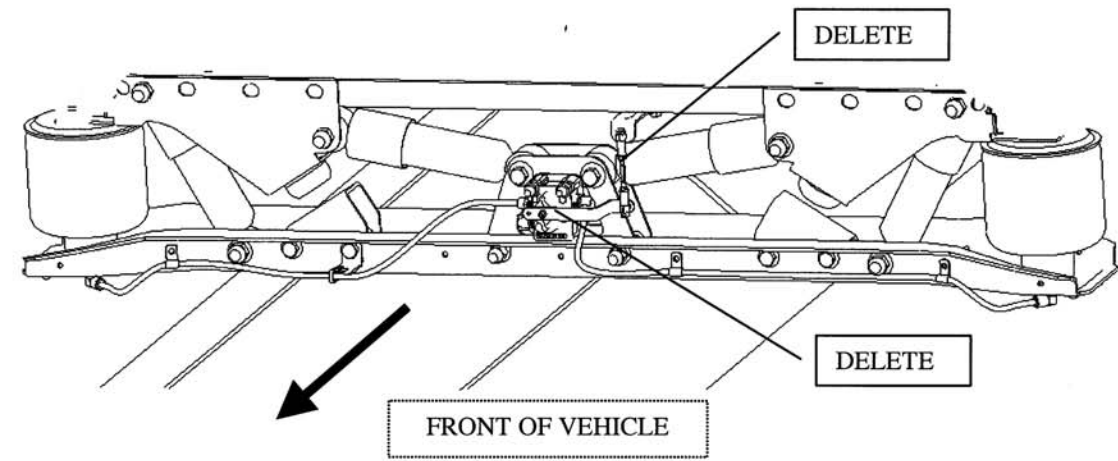


Figure 6. Picture showing the appearance of a VN vehicle before change.

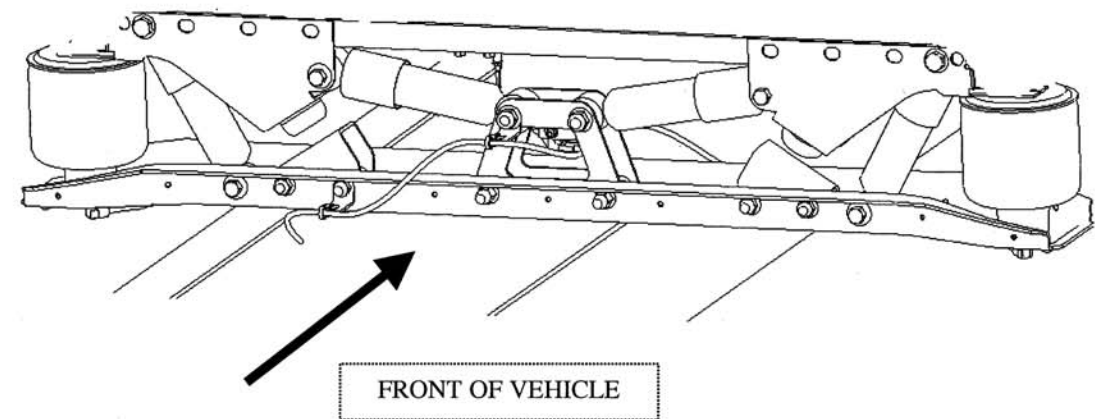


Figure 7. Picture showing the appearance of a VN vehicle before change.