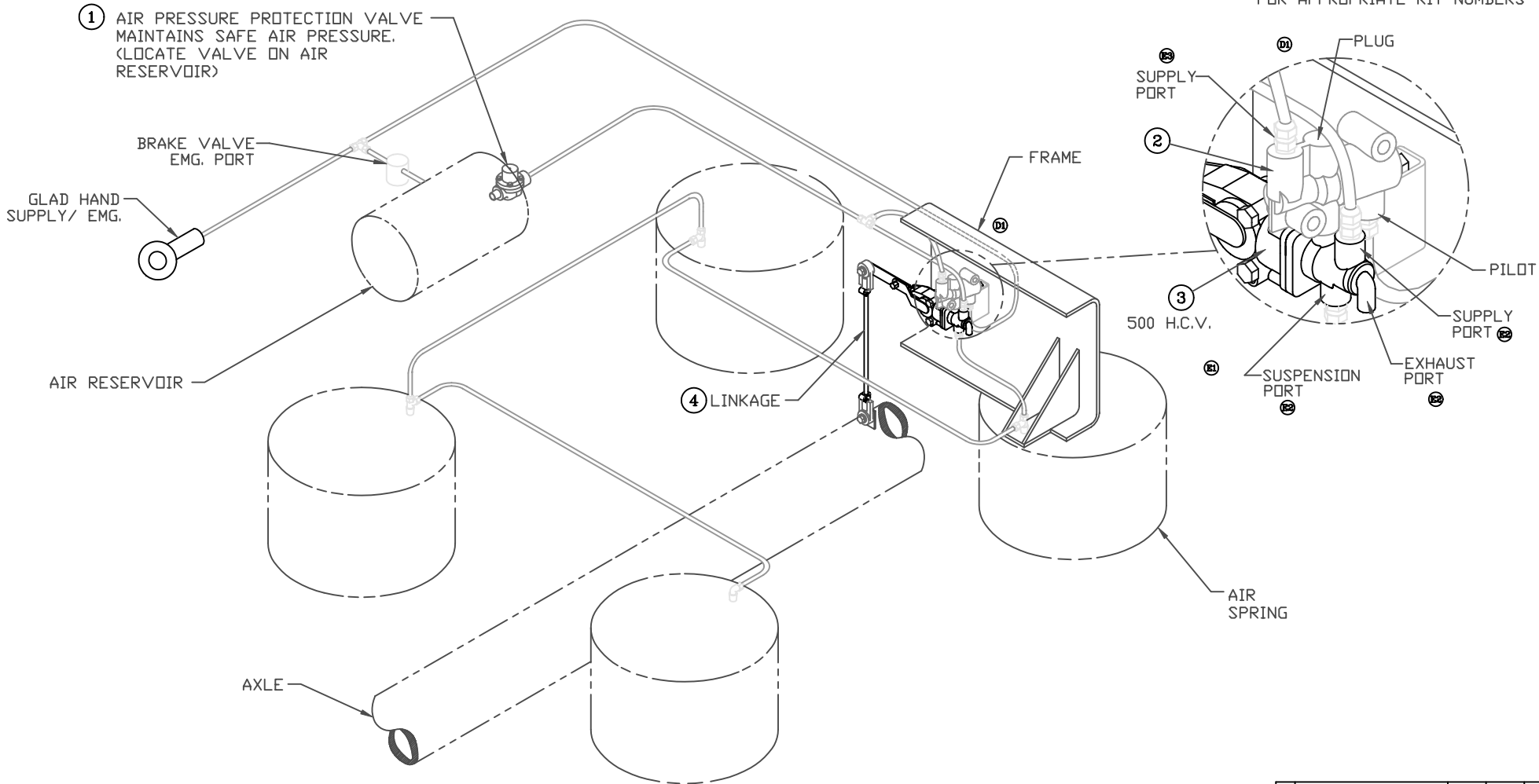


# H00500 HCV PLUMBING - ZERO PRESSURE DUMP

ITEM	PART NO.	DESCRIPTION	QTY
1	H14424	PPV VALVE	1
2	H15162	REVERSE DUMP VLV.	1
3	H00500C	H.C.V. VALVE	1
4	HPB450-3	LINKAGE	1

NOTE: PLEASE CONTACT HADLEY FOR APPROPRIATE KIT NUMBERS



E CHANGED PER ECR #2040	M.D.B.	07/11/97	07/14/97
E3 WAS: SUP.			
E2 ADDED PORT LABELS			
E1 REM: DEL. LABEL.			
D CHANGED PER ECR #1922	M.D.B.	08/10/96	
D1 ROTATED REVERSE DUMP VALVE			

SCALE: 1=1	FILE NAME: H15107	CHG	DESCRIPTION	REV. BY	APPROVATE	RELEASE
DRAWING USED ON:	ALL DIMENSIONS IN INCHES TOLERANCES UNLESS OTHERWISE SPECIFIED:					
	DECIMAL: ± 0.010 FRACTIONAL: ± 1/64 ANGULAR: ± 5°					
HADLEY PRODUCTS 2001 PRINCE ST., GRANVILLE, OH 43041						
PART NAME:	PART NO.:					
AIR SUSP. PLUMBING	H15107					