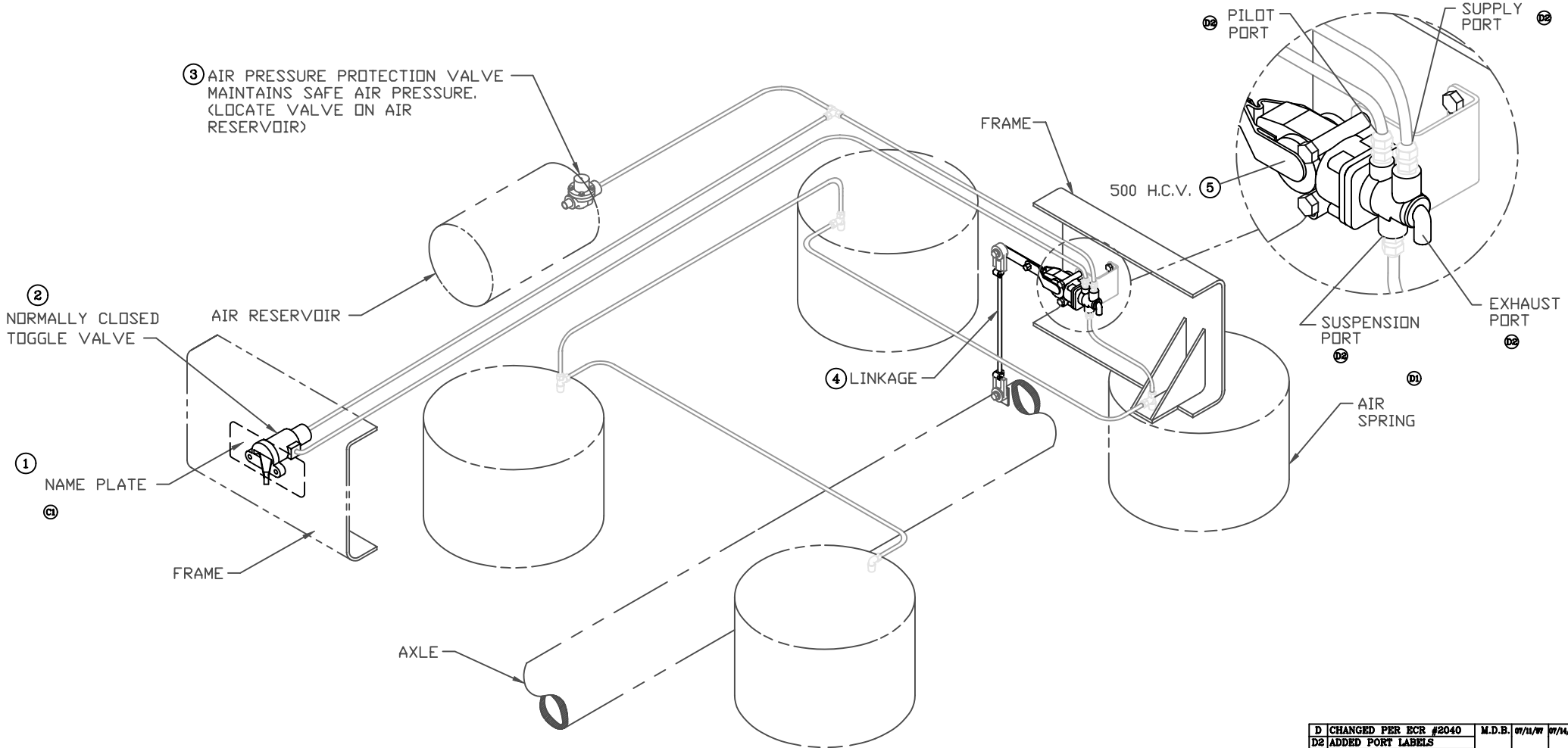


# H00500 HCV PLUMBING - MANUAL DUMP (TOGGLE VALVE)

ITEM	PART NO.	DESCRIPTION	QTY
1	H14992	NAME PLATE	1
2	H14991	TOGGLE VALVE	1
3	H14424	PPV VALVE	1
4	HPB450-3	LINKAGE	1
5	H00500C	H.C.V. VALVE	1

NOTE: PLEASE CONTACT HADLEY FOR APPROPRIATE KIT NUMBERS



D	CHANGED PER ECR #2040	M.D.B.	07/11/97	07/14/97
D2	ADDED PORT LABELS			
D1	ADDED ENLARGED VIEW			
C	CHANGED PER ECR #1860	M.D.B.	03/29/96	
C2	ADDED B.O.M. & NOTE	M.D.B.	03/29/96	
C1	ADDED NAME PLATE	M.D.B.	03/29/96	

SCALE: 1=1	FILE NAME: H14988	CHG	DESCRIPTION	REV. BY	APPROPRIATE	RELEASE DATE
DRAWING USED ON:	ALL DIMENSIONS IN INCHES TOLERANCES UNLESS OTHERWISE SPECIFIED:					
	DECIMAL: 2 P.L.C. & 210					
	DECIMAL: 3 P.L.C. & 200					
	FRACTIONAL: 1/64					
	ANGULAR: 30°					
HADLEY PRODUCTS		REV. BY		APPROPRIATE		RELEASE DATE
2801 PRINCE S.V. GRANVILLE, HI 49418		M.D.B.		D.S.W.		
PART NAME		DATE		DATE		
AIR SUSP. PLUMBING		06/13/95		07/14/97		
C & D		PART NO.		REV.		
		H14988		D		